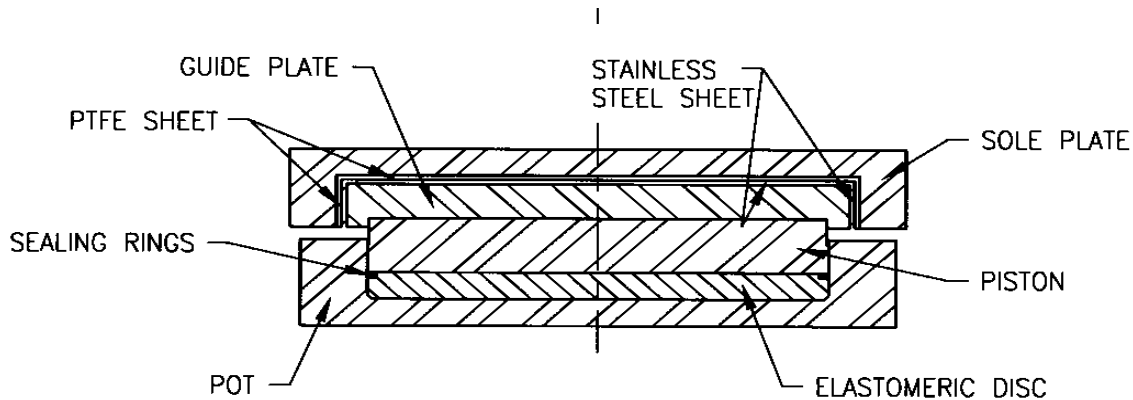




# LUBRITE®

## POT BEARINGS



Lubrite® Pot Bearings feature low profile, high load and large lateral movements. Design rotations up to 0.02 radians in all directions and dynamic load capacities to 24.13 N/mm<sup>2</sup> (3,500 psi).

Lubrite also offers:

**World –wide reputation for high quality.**

**Proven performance in many varieties of bridge applications.**

**Can be designed and manufactured for Offshore applications-ABS, Lloyds of London, and DNV Certification as required.**

**Competitive pricing.**

**Manufacturing facility covering 200,000 square feet to facilitate timely deliveries.**

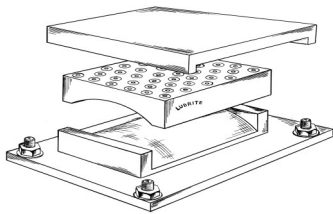
**Design for steel or concrete structures.**

**Compliant to AASHTO, State Highway, and other International specifications.**

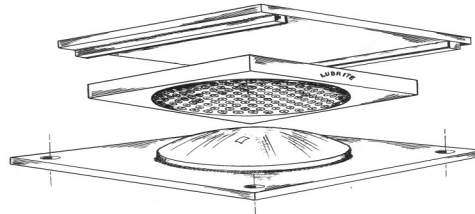
**Available Assembly Types: Fixed, Expansion, and Guided.**

Other Lubrite Bearing Products:

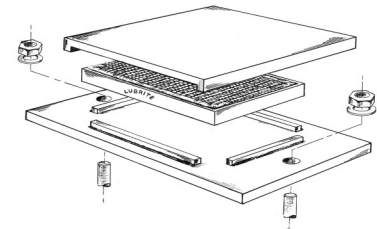
Oth-



**RADIAL**



**SPHERICAL**



**FLAT**

### LUBRITE® TECHNOLOGIES

Sales and Engineering  
145 Webster Street, Suite J  
Hanover, MA 02339, U.S.A.  
Tel: 781-871-1420 Fax: 781-871-1492  
E-mail: Sales@Lubritetechnologies.com

European Representative  
Tony Asher  
Surry, U.K.  
Tel: 011 44 20 8330-1900 Fax: 011 44 8337-6711  
E-mail: APB:Asher@aol.com