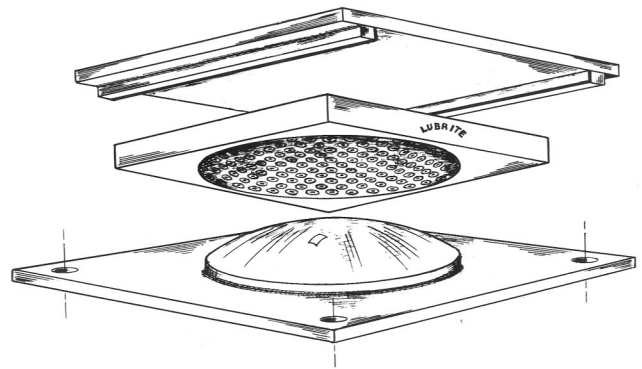


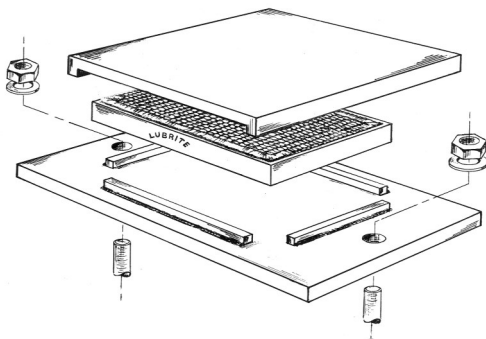
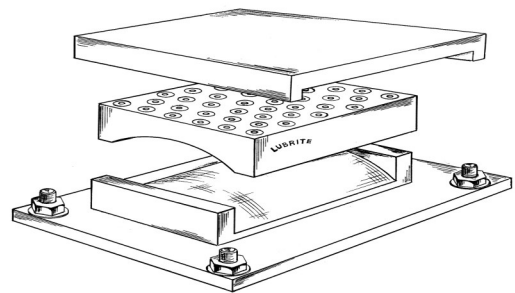
The future of your **BRIDGE** rides on the **BEARINGS** you select.

When you think new or rehab, Think Lubrite®. So both your bridge and reputation will be riding on the world's most experienced self-lubricating bearing. Lubrite accommodates expansion, contraction, and rotation of structural members—and does it without maintenance or supplementary lubrication. Lubrite is also unaffected by temperature extremes, immersion and/or corrosion. A low profile design makes Lubrite ideal for bridge rehabilitation work, since it minimizes the need for elevation adjustment, a common problem with many bearings. A wide variety of designs, such as the Spherilube®, Radialube®, and flat plate versions shown in the accompanying illustrations are available. All bridge bearings can be supplied in standard Lubrite or Lubrite F. The Lubrite F® 100% PTFE fiber mat offers a very low coefficient of friction.

When you work with Lubrite, you can also assign total responsibility to one supplier. Lubrite's 500,000 square foot manufacturing facility regularly supplies a wide variety of completed assemblies along with Lubrite bearings. If you need assistance, Lubrite's highly experienced engineering staff can be of help. This group is backed by more than 80 years of experience in the self lubricating bearing

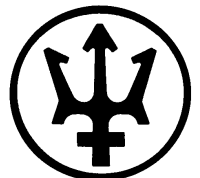


field, and has worked on many of the world's largest bridges. Last but not least, Lubrite's manufacturing assures you of the quick turnarounds frequently required in bridge rehabilitation work.



For additional information call or write
LUBRITE® TECHNOLOGIES
145 Webster Street, Suite J
Hanover, MA 02339

Tel: 781-871-1420 Fax: 781-871-1492
E-mail: SALES@lubritetechnologies.com



Lubrite®. The world's most experienced bearing